

Precaution : At removing and inserting the inner clamp

Regarding the Intelligent Knee series which have been shipped between October, 2011 and May 2012,

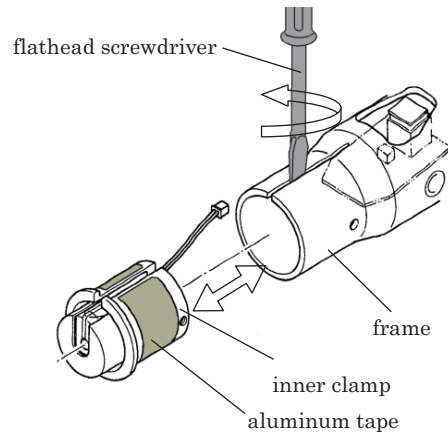
There are some cases that the inner clamp is hard to be removed from the frame in replacing the battery.

In such case, remove the inner clamp from the frame in accordance with the following procedure and then replace the battery.

* This precaution is not applied as for the inner clamp without the aluminum tape.

【Procedure of replacing battery】

- ① Put the screwdriver into the slit of the frame.
 - ② Spread the slit of the frame by twisting the screwdriver so that the inner clamp can be removed.
- ※ when inserting the inner clamp as well, spread the slit of the frame with the screwdriver as shown in right picture.



- Without following above procedure, the aluminum tape on the inner clamp could be damaged.
- Pay attention not to contact the inner clamp and the battery when spreading the slit of the frame by the screwdriver.
- Never remove the aluminum tape from the inner clamp on purpose.

(In case that the aluminum tape is removed, the tube assembly which is put in inner clamp might be gradually rotated due to less grip force and then the user might fall down during walking.)

Precaution : At removing and inserting the inner clamp

Regarding the Intelligent Knee series which have been shipped between October, 2011 and May 2012,

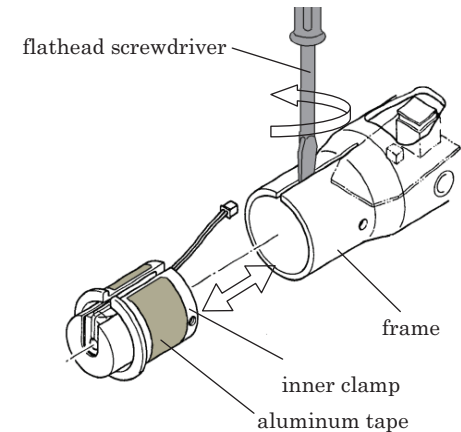
There are some cases that the inner clamp is hard to be removed from the frame in replacing the battery.

In such case, remove the inner clamp from the frame in accordance with the following procedure and then replace the battery.

* This precaution is not applied as for the inner clamp without the aluminum tape.

【Procedure of replacing battery】

- ① Put the screwdriver into the slit of the frame.
 - ② Spread the slit of the frame by twisting the screwdriver so that the inner clamp can be removed.
- ※ when inserting the inner clamp as well, spread the slit of the frame with the screwdriver as shown in right picture.



- Without following above procedure, the aluminum tape on the inner clamp could be damaged.
- Pay attention not to contact the inner clamp and the battery when spreading the slit of the frame by the screwdriver.
- Never remove the aluminum tape from the inner clamp on purpose.

(In case that the aluminum tape is removed, the tube assembly which is put in inner clamp might be gradually rotated due to less grip force and then the user might fall down during walking.)